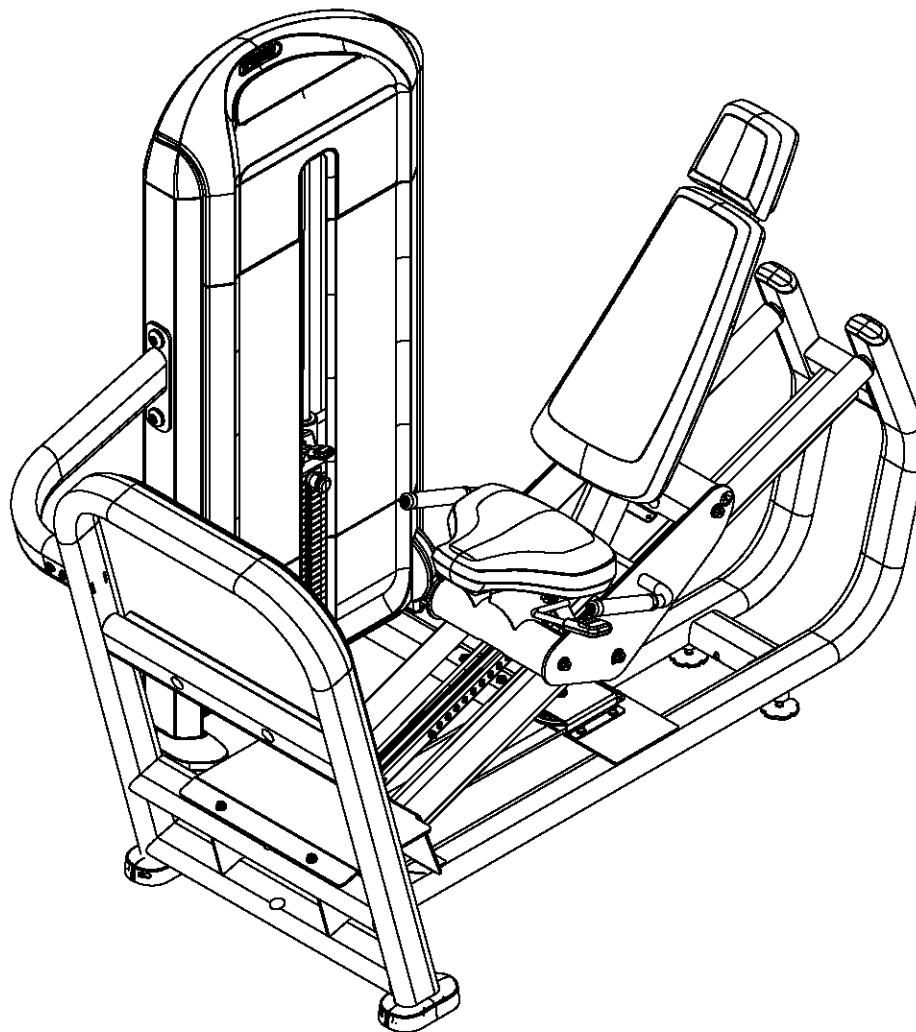


NOTES:

1 THIS LABEL IS FURNISHED AS PART OF A LABEL KIT.
ORDER REPLACEMENT LABEL KITS AS FOLLOWS:

- 201 ENGLISH
- 202 CHINESE
- 203 FRENCH
- 204 GERMAN
- 205 JAPANESE
- 206 SPANISH
- 207 DUTCH
- 208 PORTUGUESE
- 209 RUSSIAN
- 210 HEBREW
- 211 ITALIAN

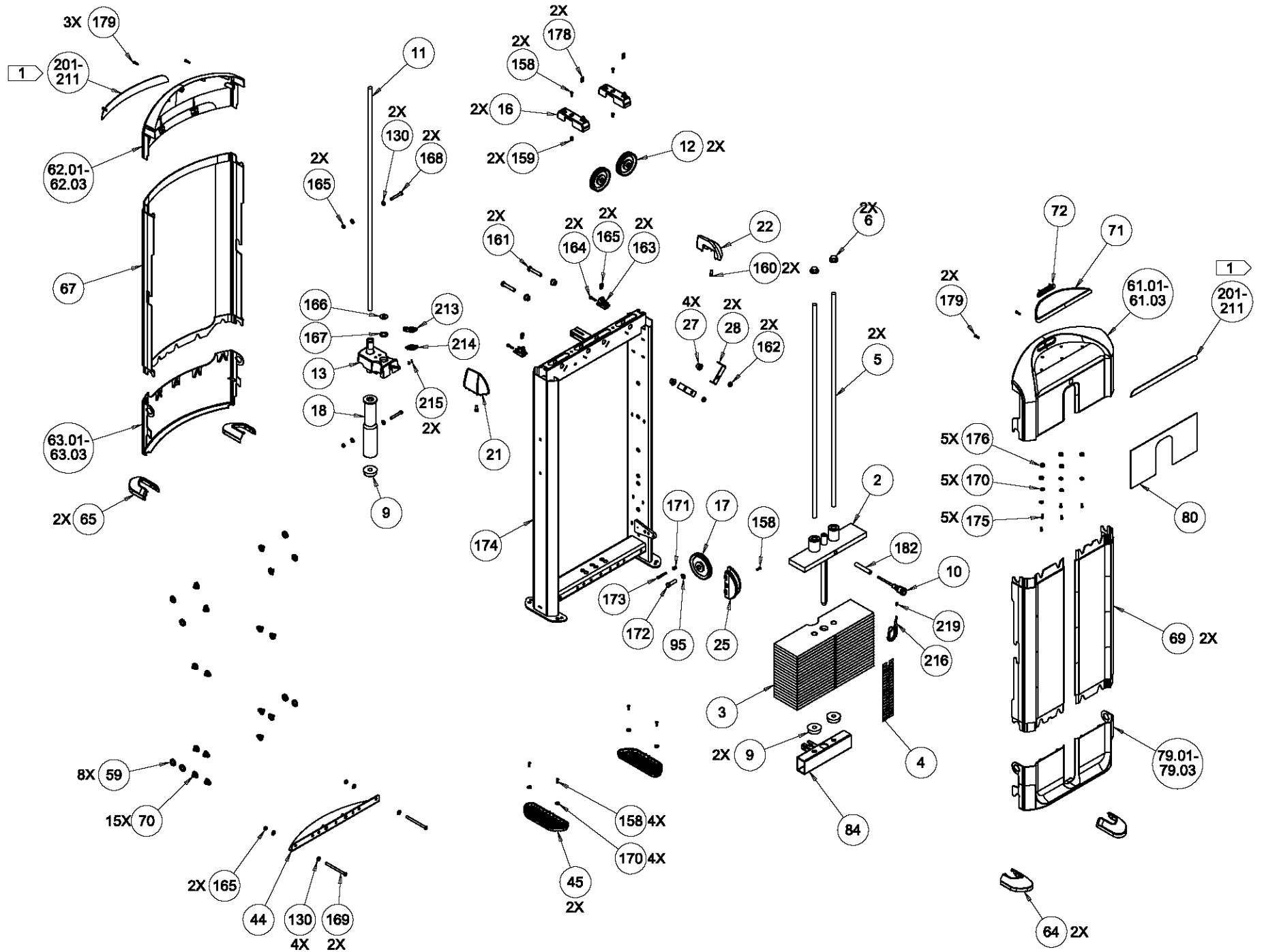


PRODUCT:

DSL602, LEG PRESS

PRECOR®

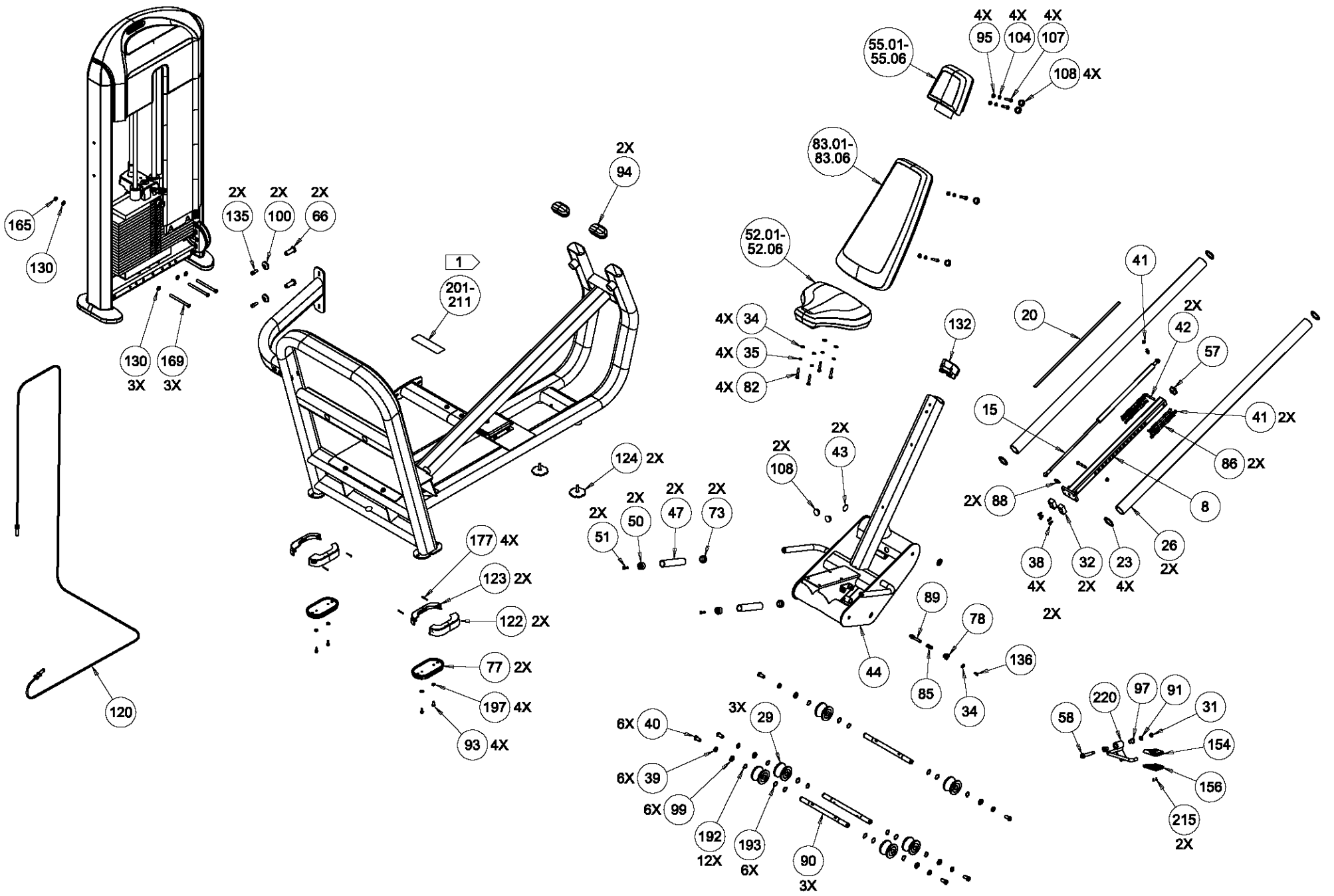
DRWN BY	11.19.13	KAW	SIZE	PAGE	OF	DWG. NO.	SUBREV
CS	10.21.13	BG	A	1	4	CW39065-101	B



3

2

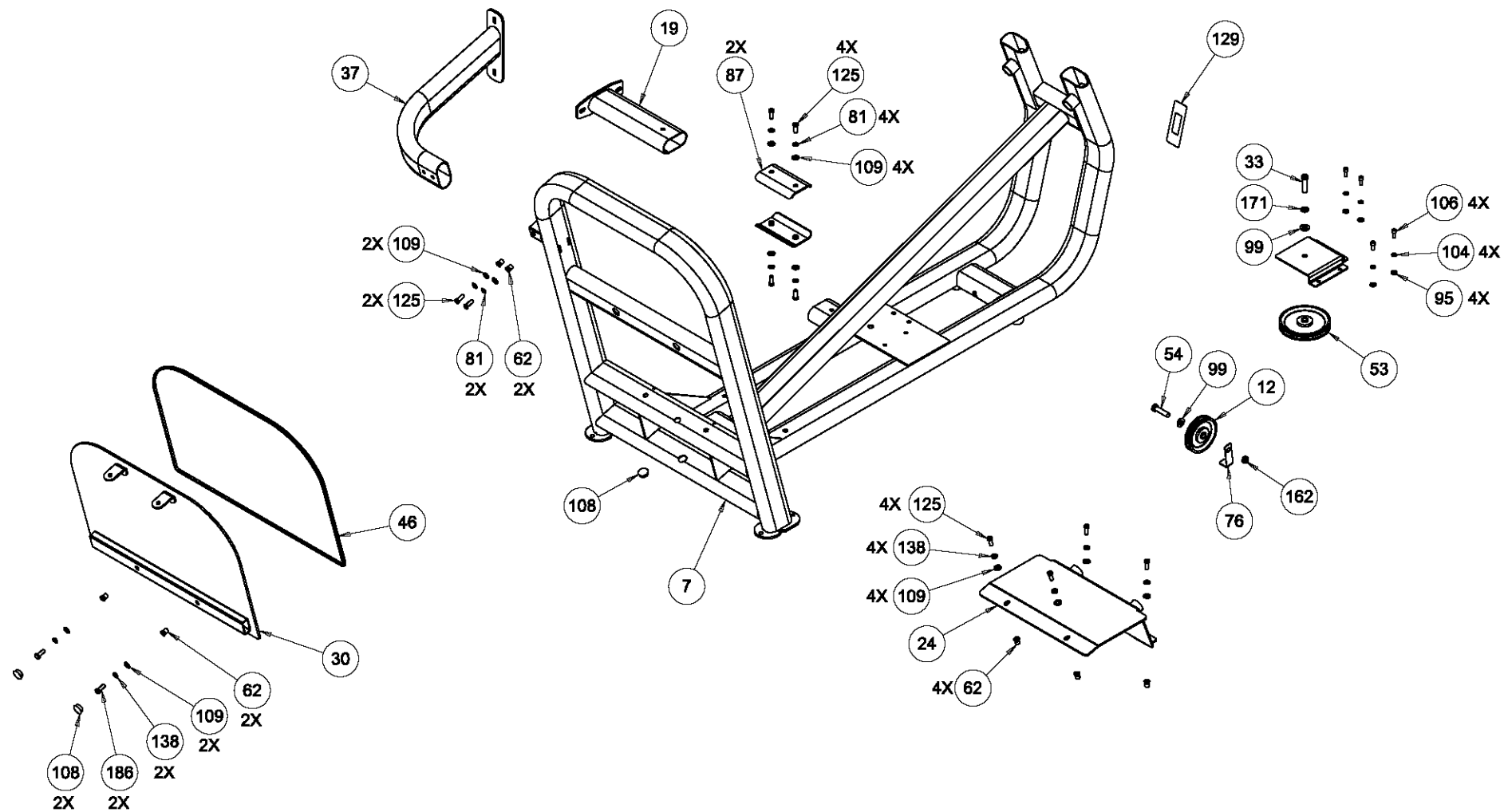
1



3

2

1



Bubble #	OEM Part Number	Part Description
2	PPP000CWS194925101	ASSY,WT PLATE,20LB
3	PPP00000CW38027103	ASSY, TOP PLATE, 400LB WT STK, DS
4	PPP000CWS198007101	WT PLATE LABEL, SEATED CALF EXT., RSL
5	PPP00000CW38041101	GUIDEROD, .75ODX47.63, CRS, DS, CR
6	PPP00000CW38009101	CAP, END, SANTOPRENE, GUIDE ROD, DS
8	PPP00000CW34047103	WLDMT, SELECTOR TUBE, LEG PRESS
9	PPP00000CW38013101	BUMPER, 2.5ODX.75IDX.8, WT STK
10	PPP00000CW38138103	ASSY, SLCTR PIN WITH TETHER, DS
11	PPP00000CW38020101	GUIDEROD, .75ODX49.75, CRS, CR
12	PPP00000CWAC1009101	PULLEY, 4 1/2 DIA X 1/2 ID
13	PPP00000CW38143302	ASSY, AOW SELECTOR, 10 LB COVER, DS
14	PPP00000CW34050103	WLDMT, FOOT PLATE, LEG PRESS, PT
15	PPP00000CW34193102	GAS SPRING, 350MM STROKE
16	PPP00000CW38051101	MOUNT, FRONT CAP, PLASTIC, DS
17	PPP00000CW38010101	PULLEY, 5ODX.5ID
18	PPP00000CW40347101	ASSY, ADD ON WEIGHT, 10LB, DS
20	PPP00000CW34386101	LABEL, LEG PRESS SEAT ADJUSTMENT
21	PPP00000CW38008101	CAP, END, AL, TRP TWR RIGHT, DS, PC
22	PPP00000CW38028101	CAP, END, AL, TRP TWR LEFT, DS, PC
23	PPP00000CW10115118	O-RING, 1.625 ID, .188 WIDTH, BUNA-
24	PPP00000CW34043101	WLDMT, STEP, LEG PRESS, PT
25	PPP00000CW38054102	COVER, PULLEY, L VERT/R HORZ, DS TWR
26	PPP00000CW38161101	PIN, ROLL, 16.5MMODX95MM, STEEL
27	PPP00000CW38040102	SPACER, FLANGED, .86ODX.51IDX.5, CZ
28	PPP00000CW38136101	BRKT, CABLE ANTIJUMP, DS, PC
29	PPP00000CW34192104	ASSY, CARRIAGE WHEEL, LEG PRESS
31	PPP000CWXKDCN038045	NUT, NYLOCK, FULL, 3/8-16, CZ
32	PPP00000CW49768101	1 X 1.75 X 0.75 BUMPER WITH STEEL B
38	PPP000CWCACN025050	SCREW, SHC, 1/4-20X.50, CZ
40	PPP000CWCACN050100	SCREW, SHC, 1/2-13X1.00, CZ
40	PPP000CWCPMN050100	SCREW, SOCKET LOW HEAD, MECH CLR ZI

Bubble #	OEM Part Number	Part Description
41	PPP000CWKDCN031034	NUT,NYLOCK,FULL,5/16-18,CZ
42	PPP000CWCACN031200	SCREW,SHC,5/16-18 X2.00,CZ
43	PPP00000CW34758102	LABEL,PINCH POINT WARNING, RENOVO,
44	PPP00000CW38043101	ASSY,TWR KICKPLATE,DS,WITH RIV NUTS
45	PPP00000CW38012101	PAD,FOOT,SANTO OVRMLD,DS TWR
46	PPP00000CW34195102	RUBBER MAT, PRESS PLATE, ADHESIVE B
47	PPP00000CWGR4606000	GRIP, RUBBER, 1.00 in. OD HANDLE, 6.00
50	PPP00000CW34091101	HANDLE END CAP, ALUM,
51	PPP000CWMACCN025100	SCREW,FH,SH,1/4-20X1,CZ
53	PPP00000CWAC1010101	PULLEY, 6 DIA X 1/2 ID
54	PPP00000CWCAKN050225	SCREW,SHC,1/2-13X2.25,BZ
57	PPP00000CW11311105	ENDCAP, REC TUBE, 1.25X1.25, BLK PL
58	PPP00000CWRANN038250	BOLT, SHOULDER, 3/8-16 X 1/2 X 2.50
59	PPP00000CW38055101	ADPTR,RING,COVER SPACER,PLASTIC,DS
61.01	PPP00000CW38168101	ASSY,TP FRNT CVR W LOGO,DS,PAC BLUE
61.03	PPP00000CW38168103	ASSY,TP FRNT CVR W LOGO,DS,DARK CAV
61.04	PPP00000CW38168104	ASSY,TP FRNT CVR W LOGO,DS,BLACK
62	PPP00000CW12112104	RIVNUT,INSERT, HEX, 3/8-16, .845 LO
62.01	PPP00000CW38003101	COVER,TOP REAR,TWR,PACIFIC BLUE,DS
62.03	PPP00000CW38003103	COVER,TOP REAR,TWR,DARK CAVERN,DS
62.04	PPP00000CW38003104	COVER,TOP REAR,TWR,BLACK,DS
63.01	PPP00000CW38005101	KICK PLATE,REAR,TWR,PACIFIC BLUE,DS
63.03	PPP00000CW38005103	KICK PLATE,REAR,TWR,DARK CAVERN,DS
63.04	PPP00000CW38005104	KICK PLATE,REAR,TWR,BLACK,DS
64	PPP00000CW38154301	COVER,FOOT,PLASTIC,DS TOWER
66	PPP00000CW33991102	WEIGHT TOWER BOLT ON, SHORT
70	PPP00000CW38006101	MOUNT,TWR COVERS,PLASTIC,DS
71	PPP00000CW38341102	TRAY,TOP FRONT COVER,TOWER,DS
72	PPP00000CW38204102	LABEL,PRECOR,AL,FOIL LOGO
73	PPP00000CWAC219902	HNDL RETAINER RNG, W/SS,1.040 in. I.D.

Bubble #	OEM Part Number	Part Description
76	PPP00000CW34394102	BPLATE,.075T,CABLE KEEPER,DS,PC
77	PPP00000CW33972102	PLASTIC FOOT,SEAT FRAME,TPE,DS
78	PPP00000CW33969101	BAR,RND,1.00 DIA,RETAINER, POP PIN
80	PPP00000CW35326103	PLACARD,INSTR,DSL P
82	PPP000CWHCCN031175	SCREW, HEX, GR 5, 5/16-18 X 1 3/4 C
84	PPP00000CW38044101	WLDMT,WT STK SPACER,3IN,DS,PC
85	PPP00000CW10231139	SPRING,COMP,.475 OD X .150 L X .03
86	PPP000CWS124006101	GUIDE,THIN,TELESCOPING TUBE,HSL0602
87	PPP00000CW33880101	FORMED,PLATE, .19 THICK,DOUBLE-D CO
88	PPP00000CW33992102	BALL, GAS SPRING, 13MM
89	PPP00000CW34086102	POP PIN, .60 DIA X 2.7, DS
90	PPP00000CW34087102	SHAFT, .79 DIA X 12.46, CARRIAGE, L
91	PPP000CWWGCN038007	WASHER, FLAT, TYPE A, HARDENED, 3/8
93	PPP000CWPLCN025075	SLOTTED, HEX, WASHER, HEAD, 1/4-20
94	PPP00000CW33996101	DOUBLE D TUBE END CAP
95	PPP000CWWBKN031007	WASHER, FLAT, TYPE A, SAE, 5/16 ID
96	PPP000CWWGKN050010	WASHER, FLAT, TYPE A, HARDENED, 1/2
97	PPP00000CW10043137	BUSHING, FLANGED,BRONZE, .628OD X .
99	PPP000CWWGCN050010	WASHER, FLAT, TYPE A, HARDENED, 1/2
100	PPP00000CW38137102	WASHER,DOMED FINISH,1.5OD,AL,DS
106	PPP000CWCAKN031075	SCREW,SHC,5/16-18X.75,BZ
107	PPP000CWHCCN031175	SCREW, HEX, GR 5, 5/16-18 X 1 3/4 C
108	PPP00000CW11095109	CAP, PLASTIC, HEYCO, DOME PLUG, 1.0
117	PPP000CWPMTN016063	SCREW, SELF TAPPING,#8 X 5/8 PHIL,
120.01	PPP000CWCLGQ156000	ASSY, CABLE, DSL P
122	PPP00000CW34061105	FOOT COVER FRONT, 15 DEGREES LONG
123	PPP00000CW34061106	FOOT COVER BACK, 15 DEGREES LONG
124	PPP00000CW39916103	FOOT, ADJUSTING, NO LOGO
125	PPP000CWCAYN038100	SCREW, SOCKET HEAD, BLK XYLAN, 3/8
129	PPP00000CW35415101	LABEL,REGULATORY,DS

Bubble #	OEM Part Number	Part Description
130	PPP000CWWGKN038007	WASHER, FLAT, TYPE A, HARDENED, 3/8
132	PPP00000CW34366101	END CAP ASSY, SEAT BACK, DOUBLE D T
135	PPP000CWCACN038100	SCREW,SHC,3/8-16 X1.00,CZ
136	PPP000CWHECN025050	HEX HEAD SCREW,1/4-20 X 1/2, GR 8,
157	PPP000CWTEKN004010	SCREW,BHC, M4X0.7X10L,BZ
158	PPP000CWTATN025075	SCREW, BUTTON HEAD, SHARPERIZED BLK
159	PPP00000CW12112101	RIVNUT,INSERT,HEX,1/4-20
160	PPP000CWCAYN038075	SCREW, SOCKET HEAD, BLK XYLAN, 3/8
161	PPP000CWCACN050300	SCREW,SHC,1/2-13X 3.00,CZ
162	PPP000CWKDYN050059	NUT,NYLOCK,FULL,1/2-13,BX
163	PPP00000CW38052101	MOUNT,REAR CAP,PLASTIC,DS
164	PPP000CWPLCN025125	SCREW,ST,SLT HEX WSHR,1/4-20X1.25,C
165	PPP000CWKDYN038045	NUT,NYLOCK,FULL,3/8-16,BX
166	PPP000CWWHKN050010	WASHER,A,WIDE,1/2ID X .094 THICK
167	PPP00000CW38141101	WASHER,COMP,1.38ODX1IDX.15,TPE
168	PPP000CWCACN038275	SCREW,SHC,3/8 -16X2 3/4,CZ
169	PPP000CWTAKN038500	SCREW,BHC,3/8-16X5.00,BZ
170	PPP00CWWAACN025006	WASHER, FLAT, TYPE B, 1/4 ID X .734
171	PPP000CWWGCN050010	WASHER, FLAT, TYPE A, HARDENED, 1/2
172	PPP000CWHFWN050175	BOLT,HH8,1/2-20X1.75,YZ
173	PPP000CWRANN025150	BOLT, SHOULDER, 1/4-20 X 5/16 X 1 1
174	PPP00000CW58074101	CS KIT, ASSY,WLDMT,TWR,DRILLED,DSL P
175	PPP000CWCACN025050	SCREW,SHC,1/4-20X.50,CZ
176	PPP00000CW38346101	SPACER,TUBE,TWR TOP CAP,DS
177	PPP000CWPMTN016125	SCREW, SELF TAPPING,#8 X 1 1/4 PHIL
178	PPP00000CW38113101	NUT,U,1/4-20,BZ,.5X1.01X.03T
179	PPP000CWCACKN025075	SCREW,SHC,1/4-20X.75,BZ
180	PPP00000CW38073101	NUT,U,1/4-20,SS,.57X1.02X.32X.03T
192	PPP000CWABHN020001	RING,RETAINING,20MM,EXT
193	PPP00CWWAGNN072001	WASHER, WAVE (SSR-0100)

Bubble #	OEM Part Number	Part Description
197	PPP000CWBCN025007	WASHER, FLAT, TYPE A, SAE, 1/4 ID X
201	PPP00000CW38480102	KIT,MACHINE DECALS,ENGLISH,DSLPL
202	PPP00000CW38481102	KIT,MACHINE DECALS,DUTCH,DSLPL
206	PPP00000CW38485102	KIT,MACHINE DECALS,JAPANESE,DSLPL
213	PPP00000CW38134103	HANDLE,AOW SELECT, TOP,OVRMLD,DS
214	PPP00000CW38134104	HANDLE,AOW SELECT,BOTTOM,OVRMLD,DS
215	PPP000CWTEKN004010	SCREW,BHC, M4X0.7X10L,BZ
216	PPP00000CW39664101	ASSY, DSL WEIGHT STACK LANYARD
225	PPP00000CW58108101	CS KIT, SEAT ADJUST HANDLE, DPL & D